

AZTECA + MERINO ARAN
/ MERINO SPORT

41

Katia
DESIGNERS
AWARDS 5



www.katia.com

DESIGNED BY MAR BURDALLO



AZTECA + MERINO ARAN OR MERINO SPORT

EN

Design by *Mar Burdallo @laburdallo* winner of the **Katia Designers Awards 5**: "I have designed this sweater in a warm color combination, inspired by cold afternoons in the mountains. When you get to the shelter, get changed, and put on this warm wool sweater and have a cup of tea..."

SIZE: 33 7/8" finished bust measurement
UK Sizes: 8-10

MATERIALS

AZTECA: 3 balls in color no. 7875

MERINO ARAN (100g): 4 balls in color no. 10

Note: This model can be made with MERINO SPORT (50g), instead MERINO ARAN (100g) using the same instructions; but be aware that the number of balls required may be different. Stitch markers.

Crochet hook	Stitches
Size J10 (US)/ (6mm)	<ul style="list-style-type: none"> • Chain st • Slip St • Single crochet • Double crochet - Front Post double crochet (see instructions) - Back Post double crochet (see instructions) - 1x1 Ribbing (see instructions) - Jacquard crochet / Tapestry (see Graph A)

• See basic stitches on: www.katia.com/en/academy or on our YouTube [filkatia](#) channel

FPdc—front post double crochet: Insert the hook from front to back (= right space of a post) and then from back to front (=left space of same post). Work the dc around the post of the stitch.

BPdc—back post double crochet: Insert the hook from back to front (=right space of a post)

and then from front to back (=left space same post). Work a dc around the post of the stitch.

1x1 Ribbing:

Round 1: * 1 FPdc, 1 BPdc, *, rep from * to *.

Round 2 and all following rounds: Work FPdc around the front post stitches and BPdc around the back post stitches

GAUGE

In *Tapestry crochet*:

11 sts and 7 rounds = 4x4".

INSTRUCTIONS

The garment is worked in the round in one piece, from the neck down and **seamless**.

Neckline:

Using MERINO ARAN, **chain** 58, **join** with a slip st to form a circle. Place a **stitch marker** at the beginning of round

Work in *Jacquard crochet /Tapestry* following Graph A, **changing** yarn as follows: Black symbols on graph are worked using AZTECA; grey symbols are worked using MERINO ARAN.

Explanation to work the first 4 rounds of Graph A:

Rnd 1: Using MERINO ARAN, work in *single crochet*, but in each corner, work ch 1. Place a stitch marker in the chain of each corner.

Rnd 2: Using MERINO ARAN ch 3, using AZTECA 1 dc, * using MERINO ARAN 1 FPdc, using AZTECA 3 dc, *, repeat from * to * 1 more time; using MERINO ARAN 1 FPdc, using AZTECA 1 dc, using MERINO ARAN (dc, ch 1, dc) in the same st (sleeve), using AZTECA 1 dc, using MERINO ARAN 1 FPdc, * skip 1 st, using AZTECA 3 dc, using MERINO ARAN 1 FPdc, *, repeat from * to * a total of 3 times; using AZTECA 1 dc, using MERINO ARAN (dc, ch 1, dc) in the same st (front), using AZTECA 1 dc, * using MERINO ARAN 1 FPdc, using AZTECA 3 dc, *, repeat from * to * 1 more time; using MERINO ARAN 1 FPdc, using AZTECA 1 dc, using MERINO ARAN (dc, ch 1, dc) in the same st (sleeve), using AZTECA 1 dc, using MERINO ARAN 1 FPdc, * skip 1 st, using AZTECA 3 dc, using MERINO ARAN 1 FPdc, *, repeat from * to * a total of 3 times; using AZTECA 1 dc, using MERINO ARAN 1 dc, ch 1, and **join** with slip st in top of beg ch-3 (back).

Rnd 3: Using MERINO ARAN ch 3, using AZTECA 2 dc, * using MERINO ARAN 1 FPdc, using AZTECA 3 dc, *, repeat from * to * 1 more time; using MERINO ARAN 1 FPdc, using AZTECA 2 dc, using MERINO ARAN (dc, ch 1, dc) in the same st (sleeve), using AZTECA 2 dc, using MERINO ARAN 1 FPdc, * using AZTECA 3 dc, using MERINO ARAN 1 FPdc, *, repeat from * to * a total of 3 times; using AZTECA 2 dc, using MERINO ARAN (dc, ch 1, dc) in the same st (front), using AZTECA

2 dc, * using MERINO ARAN 1 FPdc, using AZTECA 3 dc, *, repeat from * to * 1 more time; using MERINO ARAN FPdc, using AZTECA 2 dc, using MERINO ARAN (dc, ch 1, dc) in the same st (sleeve), using AZTECA 2 dc, using MERINO ARAN 1 FPdc, * using AZTECA 3 dc, using MERINO ARAN 1 FPdc, *, repeat from * to * a total of 3 times; using AZTECA 2 dc, using MERINO ARAN dc, ch 1, and **join** with slip st in top of beg ch-3 (back).

Rnd 4: Using MERINO ARAN, ch 1, and continue in *single crochet* around, **but** in the corners, work (sc, ch 1, sc) in the same st.

Note: Ch 1 does not count as a st
Continue working following Graph A.

At the end of the Graph A, you should have: 27 sts (sleeve), 31 sts (front), 27 sts (sleeve), 31 sts (back). **Note:** **without** counts the chain sts in the corners.

Continue repeating Rnds 8, 9 and 10 until you have worked a total of 19 increasing rounds.

At the end of all increases, you should have: [180 sts = 43 sts (sleeve), 47 sts (front), 43 sts (sleeve), 47 sts (back)]

Body:

Continue working with the front (47) and back (47) sts only, following the sequence of the last 3 rounds of Graph A, with the changes of yarn and stitches, but **without** increasing.

Join the sides with a slip st in chain space (increases). Place a marker at the beginning of round.

Continue working in rounds.

When piece measures 10 5/8" (27cm) from beginning of body, and at the end of a *single crochet* rnd, using MERINO ARAN, work 1 rnd in *double crochet* and 4 rnds in *1x1 Ribbing*.

Fasten off and weave in all ends.

Sleeves:

Continue working with the 43 sts of one sleeve, following the sequence of the last 3 rounds of Graph A, with the changes of yarn and stitches, but **without** increasing. **Join** the sides with a slip st in ch-1 space (increases). Place a marker at the beginning of round.

Continue working in rounds, leaving the first and last sts unworked for 4 rnds: [35 sts]

When sleeve measures 11 3/4" (30cm), and at the end of a *single crochet* rnd, using MERINO ARAN, work 1 rnd in *double crochet* and 4 rnds in *1x1 Ribbing*. **Fasten off** and weave in all ends.

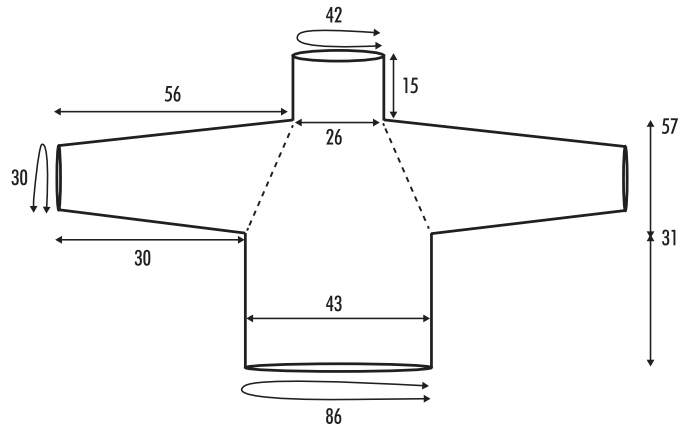
Work 2nd sleeve the same.

Collar: Using MERINO ARAN, work the 58 sts around neck edge as follows:

Work 1 rnd in *double crochet* and 14 rnds in *1x1 Ribbing*.

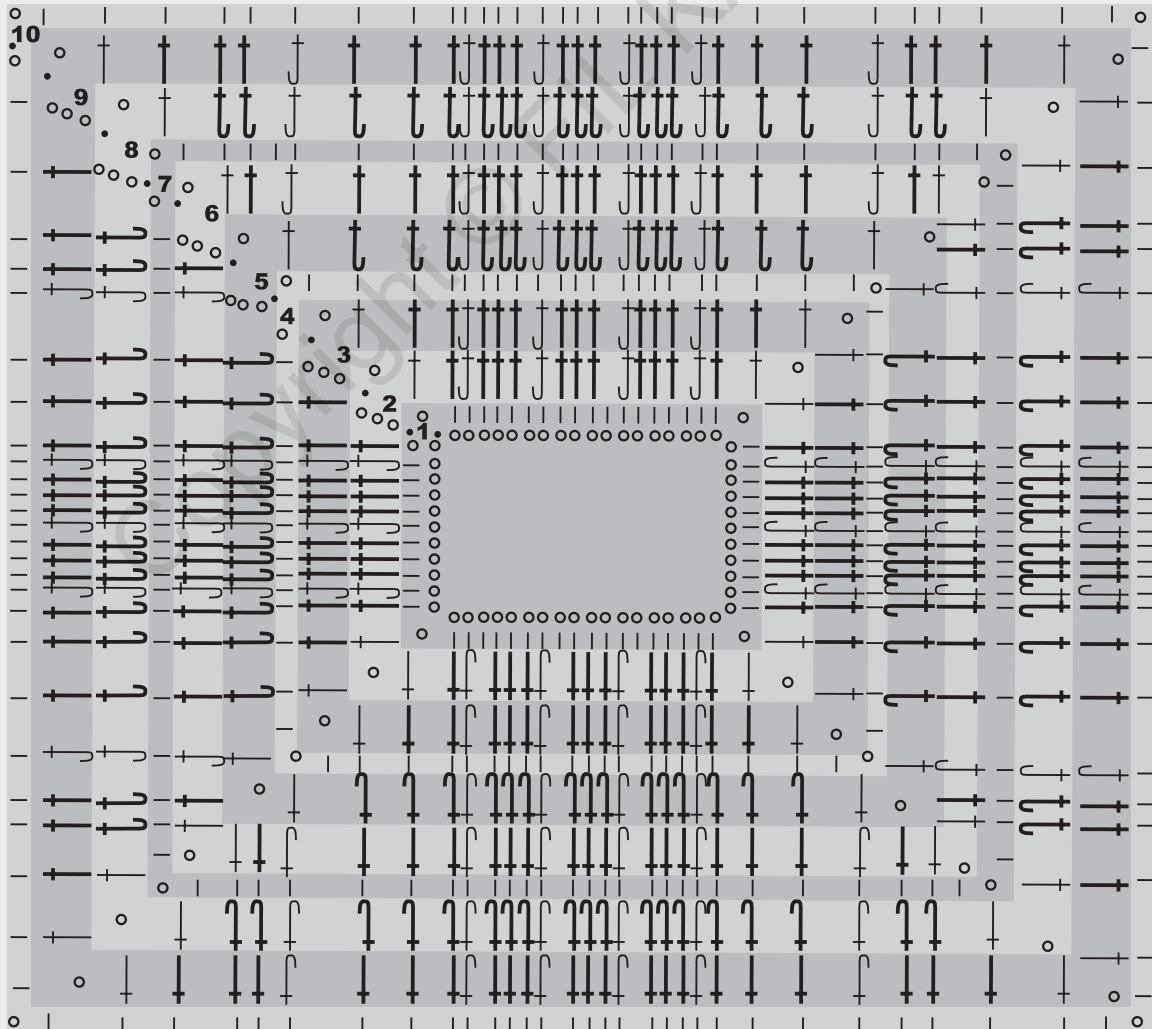
Note: Begin each rnd with ch-3 and **join** with a slip st in top of beg ch-3.

Fasten off and weave in all ends.



Graph A

- slip st
- chain st
- | single crochet
- † double crochet
- ‡ FPdc—front post double crochet
- ⋈ BPdc—back post double crochet





No. 108 WOMAN AUTUMN / WINTER

Correction Model 41

INSTRUCTIONS

Rnd 4: Using MERINO ARAN, ch 1, and continue in *single crochet* around, **but** in the corners, work (sc, ch 1, sc) in the same st. **Note:** Ch 1 does not count as a st
Continue working following Graph A.

At the end of the Graph A, you should have: 27 sts (sleeve), 31 sts (front), 27 sts (sleeve), 31 sts (back). **Note: without** counts the chain sts in the corners.

Continue repeating Rnds 8, 9 and 10 until you have worked a total of 18 increasing rounds.

At the end of all increases, you should have: [180 sts = 43 sts (sleeve), 47 sts (front), 43 sts (sleeve), 47 sts (back)]