

Pattern

Sensory Cube

Teddy - 3 sizes



Crocheted with 2 threads:
Go handmades Soft Bamboo "double"
- 70% Bamboo/23% Cotton/7% Acrylic, 50 g/115 m.

YARN USAGE

Big 14 x 14 x H23 cm: 250 g

Medium 11 x 11 x H19 cm: 200 g

Small 9 x 9 x H15 cm: 150 g

MATERIALS

Mirror PC Dia. 10 or Dia. 12 cm,
Rattle ring: 63 mm, Wooden Rings 2 pcs: 55 mm,
Rattle cellophane, Filling
Cube 8 x 8 cm/10 x 10 cm/12,5 x 12,5 cm



Skill Level:

★★★ of 5.

Crochet Hook: 4,0 - 4,5 mm

Gauge:

22 tr/10 cm

22 dc/10 cm

Go handmade
quality design in a unique style

www.gohandmade.net
© 2023



Rattle Cellophane in the handle, ears and the sides

Cube

Wooden Rings



Rattle ring

Mirror on the backside



YARN USAGE

Crochet with 2 threads

Big cube 14 x 14 x H23 cm:

Color A: 150 g

Color B: 50 g

Color C: 50 g

1 meter of black yarn for the eyes

Medium cube 11 x 11 x H19 cm:

Color A: 100 g

Color B: 50 g

Color C: 50 g

1 meter of black yarn for the eyes

Small cube 9 x 9 x H15 cm:

Color A: 50 g

Color B: 50 g

Color C: 50 g

1 meter of black yarn for the eyes

MATERIALS

Mirror PC Dia. 10 or Dia. 12 cm

Rattle ring: 63 mm

Wooden rings 2 pcs: 55 mm

Rattle cellophane

Cube: 8 x 8 cm/10 x 10 cm/12,5 x 12,5 cm

Filling

Crochet Hook: 4,0 - 4,5 mm

Gauge:

22 tr/10 cm

22 dc/10 cm

The given amounts are for guidance only.

! Crochet with 2 threads

ABBREVIATIONS AND DEFINITIONS

st(s)	Stitch(es)
mr	Magic ring
ch	Chain
sl st	Slip Stitch
dc	Double Crochet
tr	Treble Crochet
2 dc inc	Increase (2 dc in one st)
dc 2 tog	Decrease (2 dc worked together)
t-ch	Turn chain stitch, ch 1 then turn the work
* ... *	The instructions shown between these stars must be repeated for the whole round/row or with the number indicated after x.
(..)	At the end of the round/row - indicates the total number of stitches.

Soft Bamboo "double"



UK

- a Bamboo yarn out of the ordinary

The yarn contains all of 70% of bamboo, which gives the yarn the softest experience and a special lightness. Comfortable to the skin, it makes it also very child-friendly. The texture is silky with a beautiful drape.

Bamboo and environment - Bamboo is the fastest growing plant in the world and thus a great source of sustainable production.

Bamboo releases more oxygen than any other plant and grows without the use of pesticides.

23% cotton and 7% acrylic help to stabilize the soft bamboo and give the thread a good shape retention. Machine washable.

70% Bamboo/23% Cotton/7% Acrylic,
50 g/115 m.



Go handmade
quality design in a unique style

GUIDE:

6 equal sides are crocheted in tr. 4 sides are sewn together so they reach around the cube. Between the sides and the cube, rattle cellophane is added. The last 2 sides are sewn along the first 4 sides as top and bottom.

The handle is crocheted from a chain and worked in dc. It is sewn on top so that it starts on one side and ends on the other.

The spirals are crocheted from a chain with 3 dc in each st. They are sewn on one of the sides, so the long spirals are on each side of the short spirals.

Holes are made in the mirror in which a round of sl st is made and afterwards a round of dc. It is sewn on the backside.

The strap for the rattle ring is crocheted from a chain, back and forth with dc.

The ears are crocheted in a mr in a spiral. They are sewn on the edge between the 'front' and the top. The eyes are crocheted in a mr, a single round. They are sewn on round 3 on the side.

CUBE - BIG**SIDES (6 X)**

The sides are crocheted as squares with chains (ch) in all corners. If necessary, mark the corners with stitch markers.

The number of slip stitches (sl st) increases on each round.

- 1.) mr, ch 3, 2 tr, ch 1, *3 tr, ch 1* x 3.
1 sl st in the third ch (from the beginning of the round)
2. - 6.) sl st to the corner,
ch 3, 1 tr in the corner, ch 1, 2 tr in the corner. *tr to the next corner, 2 tr in the corner, ch 1, 2 tr in the corner* x 4
1 sl st in the third ch (from the beginning of the round)

The 4 sides are crocheted together with dc, see pictures (page 6). Place the cube inside the work. Add a layer of rattle cellophane between the 6 sides and the cube. The last two sides, which are top and bottom, are sewn on.

HANDLE

- 1.) ch 15 (15)
Join with a sl st in the first st to form a ring. Crochet in rounds from here
- 2.) 15 dc (15)
Continue until the length of the handle can reach across the cube so that it can be sewn onto to sides. Add rattle cellophane and filling. Attach wooden rings and sew the handle to the top of the cube.

SPIRALS

Short spiral (2 X):

- 1.) ch 25, 1 t-ch (25)
- 2.) 3 dc in second st from the hook,
3 dc in each ch (75)

Long spiral (1 X):

- 1.) ch 35, 1 t-ch (35)
- 2.) 3 dc in the second st from the hook,
3 dc in each st (105)

The spirals are sewn on one of the sides.

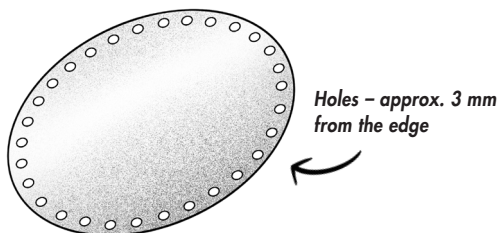
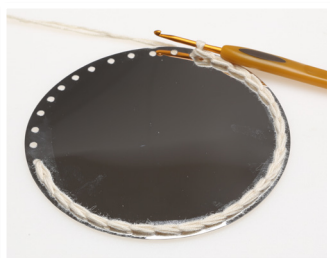
MIRROR 12 CM

A total of 38 holes are made, approx. dia. 3 mm round, approx. 3 mm inside the edge. The holes can be made with a hole punch.

- 1.) 1 sl st in each hole (38)
- 2.) *1 dc, 2 dc inc* (57)

Finish with a sl st in the first dc of the round.

The mirror is sewn on one of the sides.



UK

STRAP FOR RATTLE RING

- 1.) ch 15, 1 t-ch (15)
- 2.) 1 dc in the second st from the hook, 14 dc, 1 t-ch (15)
- 3.) 15 dc (15)

Add rattle ring and attach the strap to the cube.

EARS (2 X)

- 1.) 6 dc in a mr (6)
- 2.) *2 dc inc* (12)
- 3.) *1 dc, 2 dc inc* (18)
- 4.) *2 dc, 2 dc inc* (24)
- 5.) *3 dc, 2 dc inc* (30)
- 6.) 30 dc (30)
- 7.) *3 dc, dc 2 tog* (24)
- 8.) *2 dc, dc 2 tog* (18)
- 9.) *1 dc, dc 2 tog* (12)

Add a layer of rattle cellophane in the ears.

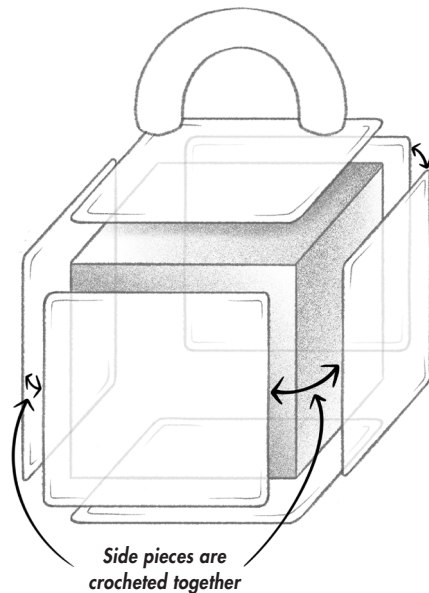
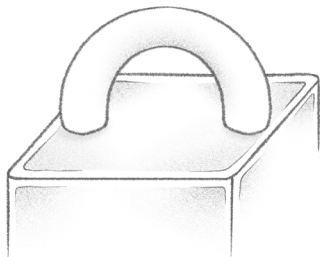
The ears are sewn onto the head, as seen in the pictures.

UK

EYES (2 X)

- 1.) 6 dc in a mr (6)

Finish with a sl st and sew on the side that has the same color as the ears, in round 3. Embroider the nose under the eyes.



CUBE - MEDIUM

SIDES (6 X)

The sides are crocheted as squares with chains (ch) in all corners. If necessary, mark the corners with stitch markers.

The number of slip stitches (sl st) increases on each round.

- 1.) mr, ch 3, 2 tr, ch 1, *3 tr, ch 1* x 3.
1 sl st in the third ch (from the beginning of the round)

2. - 5.) sl st to the corner,
 ch 3, 1 tr in the corner, ch 1, 2 tr in the
 corner. *tr to the next corner, 2 tr in the
 corner, ch 1, 2 tr in the corner* x 4
 1 sl st in the third ch (from the beginning
 of the round)

*The 4 sides are crocheted together with dc, see
 pictures (page 6). Place the cube inside the work.
 Add a layer of rattle cellophane between the 6 sides
 and the cube. The last two sides, which are top and
 bottom, are sewn on.*

HANDLE

- 1.) ch 10 (10)

Join with a sl st in the first st to form a ring.

Crochet in rounds from here.

- 2.) 10 dc (10)

*Continue until the length of the handle can reach
 across the cube so that it can be sewn onto to sides.*

*Add rattle cellophane and filling. Attach wooden
 rings and sew the handle to the top of the cube.*

SPIRALS

Short spiral (2 X):

- 1.) ch 20, 1 t-ch (20)

- 2.) 3 dc in the second st from the hook,
 3 dc in each st (60)

Long spiral (1 X):

- 1.) ch 25, 1 t-ch (25)

- 2.) 3 dc in second st from the hook,
 3 dc in each st (75)

The spirals are sewn on one of the sides.

MIRROR 10 CM

A total of 38 holes are made approx. dia. 3 mm
 round, approx. 3 mm inside the edge. The holes
 can be made with a hole punch.

- 1.) 1 sl st in each hole (28)

- 2.) *1 dc, 2 dc inc* (42)

Finish with a sl st in the first dc of the round.

The mirror is sewn on one of the sides.

STRAP FOR RATTLE RING

- 1.) ch 15, 1 t-ch (15)

- 2.) 1 dc in the second st from the hook,
 14 dc, 1 t-ch (15)

- 3.) 15 dc (15)

Add rattle ring and attach the strap to the cube.

EARS (2 X)

- 1.) 6 dc in a mr (6)

- 2.) *2 dc inc* (12)

- 3.) *1 dc, 2 dc inc* (18)

- 4.) *2 dc, 2 dc inc* (24)

- 5.) *3 dc, 2 dc inc* (30)

- 6.) 30 dc (30)

- 7.) *3 dc, dc 2 tog* (24)

- 8.) *2 dc, dc 2 tog* (18)

- 9.) *1 dc, dc 2 tog* (12)

Add a layer of rattle cellophane in the ears.

*The ears are sewn onto the head, as seen in the
 pictures.*

EYES (2 X)

- 1.) 6 dc in a mr (6)

*Finish with a sl st and sew on the side that has the
 same color as the ears, in round 3. Embroider the
 nose under the eyes.*

CUBE - SMALL

SIDES (6 X)

The sides are crocheted as squares with chains (ch) in all corners. If necessary, mark the corners with stitch markers.

The number of slip stitches (sl st) increases on each round.

- 1.) mr, ch 3, 2 tr, ch 1, *3 tr, ch 1* x 3.
1 sl st in the third ch (from the beginning of the round)
2. - 4.) sl st to the corner,
ch 3, 1 tr in the corner, ch 1, 2 tr in the corner. *tr to the next corner, 2 tr in the corner, ch 1, 2 tr in the corner* x 4
1 sl st in the third ch (from the beginning of the round)

The 4 sides are crocheted together with dc, see pictures (page 6). Place the cube inside the work. Add a layer of rattle cellophane between the 6 sides and the cube. The last two sides, which are top and bottom, are sewn on.

HANDLE

- 1.) ch 10 (10)
Join with a sl st in the first st to form a ring. Crochet in rounds from here.
- 2.) 10 dc (10)

Continue until the length of the handle can reach across the cube so that it can be sewn onto to sides. Add rattle cellophane and filling. Attach wooden rings and sew the handle to the top of the cube.

SPIRALS

Short spiral (2 X):

- 1.) ch 20, 1 t-ch (20)
- 2.) 3 dc in the second st from the hook,
3 dc in each st (60)

Long spiral (1 X):

- 1.) ch 25, 1 t-ch (25)
- 2.) 3 dc in second st from the hook,
3 dc in each st (75)

The spirals are sewn on one of the sides.

MIRROR 10 CM

Cut the mirror to dia. 7,5 cm

A total of 16 holes are made, approx. Dia. 3 mm round, approx. 3 mm inside the edge. The holes can be made with a hole punch.

- 1.) 1 sl st in each hole (16)
- 2.) *1 dc, 2 dc inc* (24)

Finish with a sl st in the first dc of the round.

The mirror is sewn on one of the sides.

STRAP FOR RATTLE RING

- 1.) ch 15, 1 t-ch (15)
- 2.) 1 dc in the second st from the hook,
14 dc, 1 t-ch (15)
- 3.) 15 dc (15)

Add rattle ring and attach the strap to the cube.

EARS (2 X)

- 1.) 6 dc in an mr (6)
- 2.) *2 dc inc* (12)
- 3.) *1 dc, 2 dc inc* (18)
4. - 5.) 18 dc (18)
- 6.) *1 dc, dc 2 tog* (12)

Add a layer of rattle cellophane in the ears. The ears are sewn onto the head, as seen in the pictures.

EYES (2 X)

1.) 6 dc in a mr (6)

Finish with a sl st and sew on the side that has the same color as the ears, in round 3. Embroider the nose under the eyes.

Good to know

Hook Size + Tension

Crocheters crochet very differently: some crochet with a hook size 2,0 mm and obtain the same size of design and quality as a person who crochets with a hook size 4,0 mm. We owe this knowledge to the team of crocheters who join us.

The key to crochet a specific size is a lot about the crochet style/hands/skills, rather than the size of hook. Therefore, we will recommend a range of hook sizes.



Go handmade
quality design in a unique style