



Downy Cardigan

No. 1006-191-8857

Terms: US

Sizes: 2-8 years

Skill level: Intermediate

Crochet hook: 4 mm (G US size)

Materials: Needle & stitch markers.

Yarn: Hobbii Kid Silk in color "Rich Plum".

How much yarn do you need?

2Y = 65 grams / 510 m / 555 yds (3 balls)

4Y = 75 grams / 595 m / 650 yds (3 balls)

6Y = 90 grams / 710 m / 775 yds (4 balls)

8Y = 110 grams / 820 m / 890 yds (5 balls)

Buy the yarn here:

<http://shop.hobbii.com/downy-cardigan>

About the design

This Downy Cardigan is worked top down using the Raglan technique. We start working from the neck, making the yoke part first and then separate the sleeves from the body of the cardigan and work the 3 parts of the cardigan individually.

You don't have to be an experienced crocheter to be able to make this cute cardigan. The skill level required is intermediate, meaning you will have to know special stitches like "puff stitch".



Final measurement

The final measurements of the Downy Cardigan for each size are listed in the diagram below. On the first line you will have the measurements in cm and on the second one in inches. The first shown value is for size 2Y and between the brackets are the values for 4Y, 6Y and 8Y

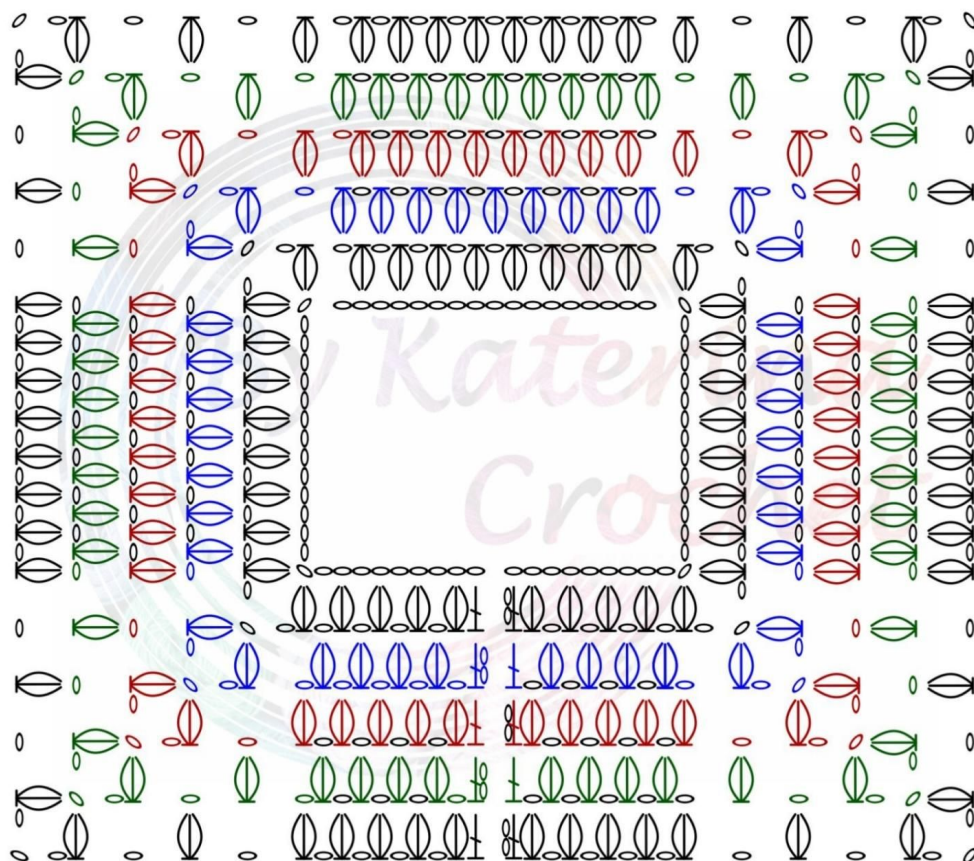


About the stitch

We will use the puff stitch cluster.

Yarn over, insert the hook through the stitch, yarn over and pull out a loop. Repeat this action 3 times, then yarn over and pull the yarn through all the loops on your hook.

Below you will find the stitch diagram representing the first rows of the yoke part:



Gauge

16 sts = 10 cm (4")

11 rows = 10 cm (4")

The gauge pattern is puff stitch. So 16 sts means we have 8 puff sts and 8 ch 1 spaces in between.

Abbreviations used in this pattern

Ch – chain

Sc – single crochet

Dc – double crochet

Puff st – Puff stitch cluster

St (s) – stitch (es)

Inc – increase (the one that we will be making in the 4 corners of the yoke) 1 puff st, ch 3, 1 puff stitch in the same st.

And now that we have all the details in place, let's start making this cute Downy cardigan.
*If you want to make the cardigan in a size in between, make the smaller size (for example if you want to make it for a 3 years old you have to follow the pattern for size 2Y)

First the foundation chain

- **2Y** = 65 sts (17 sts for the back side, 13 sts for sleeves, 9 sts for the front sides and 4 sts for the corners)
- **4Y** = 73 sts (19 sts for the back side, 15 sts for sleeves, 10 sts for the front sides and 4 sts for the corners)
- **6Y** = 81 sts (21 sts for the back side, 17 sts for sleeves, 11 sts for the front sides and 4 sts for the corners)
- **8Y** = 89 sts (23 sts for the back side, 19 sts for sleeves, 12 sts for the front sides and 4 sts for the corners)

Yoke

The main pattern for the first round will be easy. 1 puff and ch 1 repeated all across the chain stitches, and in the 4 corners we have to make the increase as explained above.

The row will start a little different depending on the size you are making. Actually it starts the same for the sizes where we have an even number of stitches for the front panels (4y and 8y) and for the sizes where we have an uneven number of stitches (2y and 6y).

The stitch chart above is for a size 2Y, but you can follow it regardless of size:

Row 2, **the blue one** is the first row for size 4y

Row 3, **the red one**, is the the first row for size 6y

Row 4, **the green one**, is the first row for size 8y

Ok, now let's go back to the first row!

Row 1

For 2y and (6y): (the values for 6y will be between brackets)

Ch 2 (ch 2 at the beginning of the row doesn't count as a first st), 1 dc in the 3rd st, [1 puff st in the next , ch 1, skip 1]. Repeat the section between [] 4 (5) times, inc in next st (1 puff st, ch 3, 1 puff st), ch 1 skip 1, [1 puff st in the next , ch 1, skip 1] x 6 (8) times, inc in next st, ch 1, skip 1, [1 puff st in the next , ch 1, skip 1] x 8 (10) times, inc in next st, ch 1, skip 1, [1 puff st in the next , ch 1, skip 1] x 6 (8) times, ch 1, skip 1, [1 puff st in the next , ch 1, skip 1] x 3 (4) times. End the row with 1 puff in next st, 1 dc in the last st. Ch 2 and turn

For 4y and (8y):

Ch 2, 1 dc in the 3rd st, ch 1, skip 1, [1 puff st in the next , ch 1, skip 1]. Repeat the section between [] 4 (5) times, inc in next st (1 puff st, ch 3, 1 puff st), ch 1 skip 1, [1 puff st in the next , ch 1, skip 1] x 7 (9) times, inc in next st, ch 1, skip 1, [1 puff st in the next , ch 1, skip 1] x 9 (11) times, inc in next st, ch 1, skip 1, [1 puff st in the next , ch 1, skip 1] x 7 (9) times, ch 1, skip 1, [1 puff st in the next , ch 1, skip 1] x 4 (5) times. End the row with 1 dc in the last st. Ch 2 and turn.

Starting with row 2, the pattern will be intuitive. Make 1 puff st where you have a ch 1 space on the previous row and 1 ch where you have a puff st on the previous row. In corners, in the ch 3 space, always make an increase.

Row 2

2y and 6 y

1 dc in the 1st st, ch 1, skip the puff st, [1 puff st in the next ch 1 space, ch 1, skip 1 puff st]. Repeat the section between brackets until you get to the next corner, in corner 1 inc. Repeat until you get to the end of the row, ending the row with 1 dc in the last st.

4y and 8y

1 dc in the first st, [1 puff st in the next ch 1 space, ch 1, skip 1 puff st] Repeat the section between brackets until you get to the next corner, in corner 1 inc. Repeat until you get to the end of the row, ending the row with 1 puff st in the next st, 1 dc in last st. ch 2 and turn.

Row 3

You saw that the pattern is pretty easy. Only that for size 2y and 6y and for sizes 4y and 8y starts differently. Now the row 3 will start for size 2y and 6y as the start for row 2 for sizes 4y and 8y and reverse.

From now, you will have to repeat rows 2 and 3 until you will get to the end of the yoke and you will have in total:

- **2y** = 13 rows
- **4y** = 15 rows
- **6y** = 17 rows
- **8y** = 19 rows



Body

The body will be worked in the same way for all sizes.

Row 1

Start the row as usual and work the stitches as you did before, until you get to the first corner. In the first corner make 1 puff st, ch 1, skip the stitches for the sleeve and move to the next corner and make 1 puff st.

Continue working the back side. At the next corner, join the back with the front side as you did on the opposite side.

Next, you will have to repeat row 1, until you get to the desired length of the cardigan. On row 2, on the ch st you made when joining, make the puff st (ch1, skip 1, 1 puff in next)

- **2y** = 17 rows
- **4y** = 20 rows
- **6y** = 22 rows
- **8y** = 26 rows

Sleeves

Start the sleeves at the armpit and use the same stitch pattern as the rest of the cardigan, but this time we will be working in rounds.

Round 1

Insert the hook and yarn, in the middle ch 1 space at the armpit. Make 1 puff st in this space, ch 1, skip the next puff, 1 puff st in the next ch 1 space. Repeat to the end of the round. Join with a slip stitch with the first puff st.

You can start the next rounds with even a slip st to the next ch 1 space where you will make the first puff st of the round - or to turn in the previous ch 1 space and make the first puff st of the round there. I alternate the 2 methods, to keep the joining on the back side of the sleeve.

Continue repeating round 1 until you have the desired length of the sleeve or until you have in total:

- **2y** = 21 rounds
- **4y** = 26 rounds
- **6y** = 30 rounds
- **8y** = 32 rounds.

You can leave the sleeve like this or you can finish it adding the next 3 rounds:

1. 1 sc in each st around. Sl st with the first sc
2. 1 sc in the first st, skip 1 st, 1 sc. Repeat to the end of the round.
3. 1 sc in each st.

Now the Downy Cardigan is almost done! We just have a few more things to make.

Finish the edges of the cardigan with 2 rounds in sc. Start by inserting the hook and yarn in a stitch at the bottom of the back and make 1 sc in each st, all around the cardigan: bottom, front side, neck, again front side and finish the round in the same st where you start the round. Make one more round also in single crochet.

Strips

Insert the hook in the closest st to the neck (the next one after the neckline corner) and make 1 sc, then 3 more sc in the next 3 st. Ch 1 and turn.

Repeat this row until you have the desired length of the strip. I made 20 rows. Proceed the same in the other part. You can add another ribbon or a button if you want.

And done. A super cute, fluffy, delicate cardigan, perfect for your princess.