



Felted Bag

No. 2003-171-9376

Materials:

3 balls Happy sheep
Single pointed needle size 8 mm / US11

Gauge:

15 stitches = 10 cm
26 rows = 10 cm

Measurements after felting:

Height: approx. 21 cm
Bottom: approx. 8 cm
Width: approx. 35 cm

Measurements after felting:

Height: approx. 36 cm
Bottom: approx. 14 cm
Width: approx. 44 cm

Purchase your yarn here:

<http://shop.hobbii.com/felted-bag>

Bag

CO 60 stitches on single pointed needle size 8 mm / US11.

Edge stitch

Slip first stitch purlwise on all rows.

Work back and forth in garter stitch until piece measures 66 cm. Don't forget to slip first stitch in order to create a smooth edge for sewing the bag together.

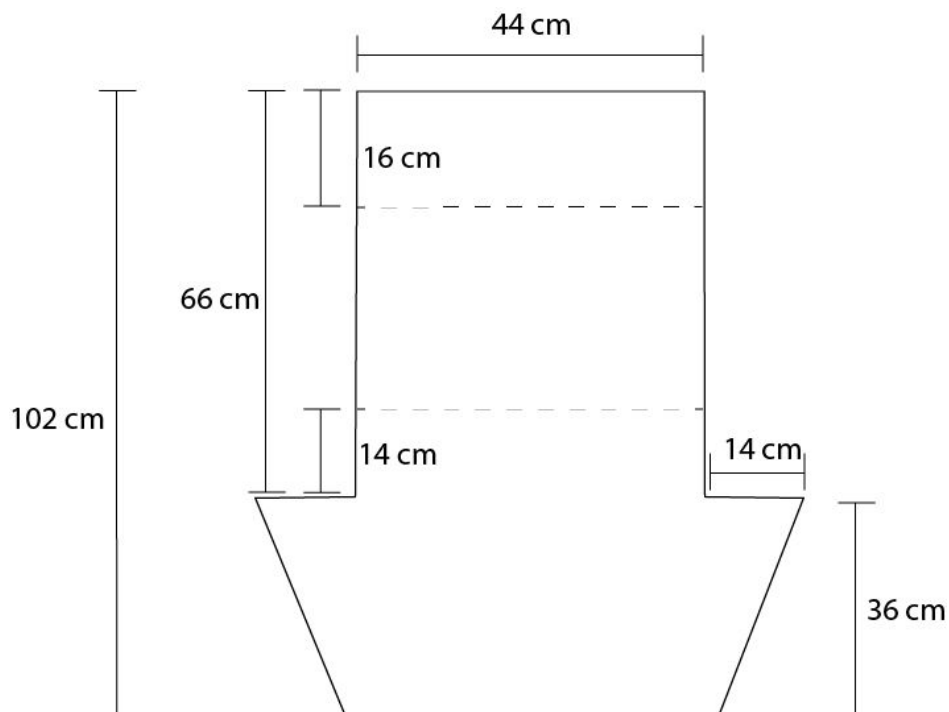
CO 17 new stitches on each side of piece as follows: work the existing 60 stitches, CO 17 new stitches at the end of the row, turn piece, knit all stitches, CO 17 new stitches at the end of the other side of the row.

Work 2 rows in garter stitch.

Now knit the first 2 stitches together in the beginning of every row.

Repeat until you have 60 stitches on the row and continue hereafter in garter stitch until piece measures 36 cm.

Bind off all stitches and weave in ends.



Assembly

Now sew the bag together. Fold and sew to create a bottom like this (also take a look at the illustration above): sew the part with the CO stitches (14 cm) on to the edge. This will be the bottom of the bag. Continue sewing the side of the bag together along the diagonal edge. The last remaining part will be the lid of the bag. Here you will attach a little leather strap after felting (see photo on first page).

Now wash the bag in the washing machine on 60°C with normal spin and no pre-wash. Shape the bag to the right size while still wet and leave to dry flat.

Attach a bag handle, leather strap and a magnetic button to close the bag.

Have fun with your new bag.

Enjoy!